



# Fig. 0314 Series Installation and Spare Parts Manual

Pilot House Control  
Solar-Ray® Sealed Beam 7" & 8" Searchlights



**PERKO**, INC. • 16490 N.W. 13th Avenue • Miami, FL 33169-5707 • [www.perko.com](http://www.perko.com)



## Fig. 0314 Pilot House Control Sealed Beam Solar-Ray® Series Installation Manual

### Table of Contents

	Page
• Fig. 0314 Searchlight Installation Instructions .....	3
• Fig 0314 Mounting Template .....	4
• Fig. 0314 Spare Parts Diagram and Sealed Beam Ordering Information.....	5
• Solar-Ray® Searchlight Limited Warranty .....	6





**PERKO FIG. 0314 SERIES  
PILOT HOUSE CONTROL SEARCHLIGHT  
INSTALLATION INSTRUCTIONS**

**READ ALL DIRECTIONS BEFORE PROCEEDING**

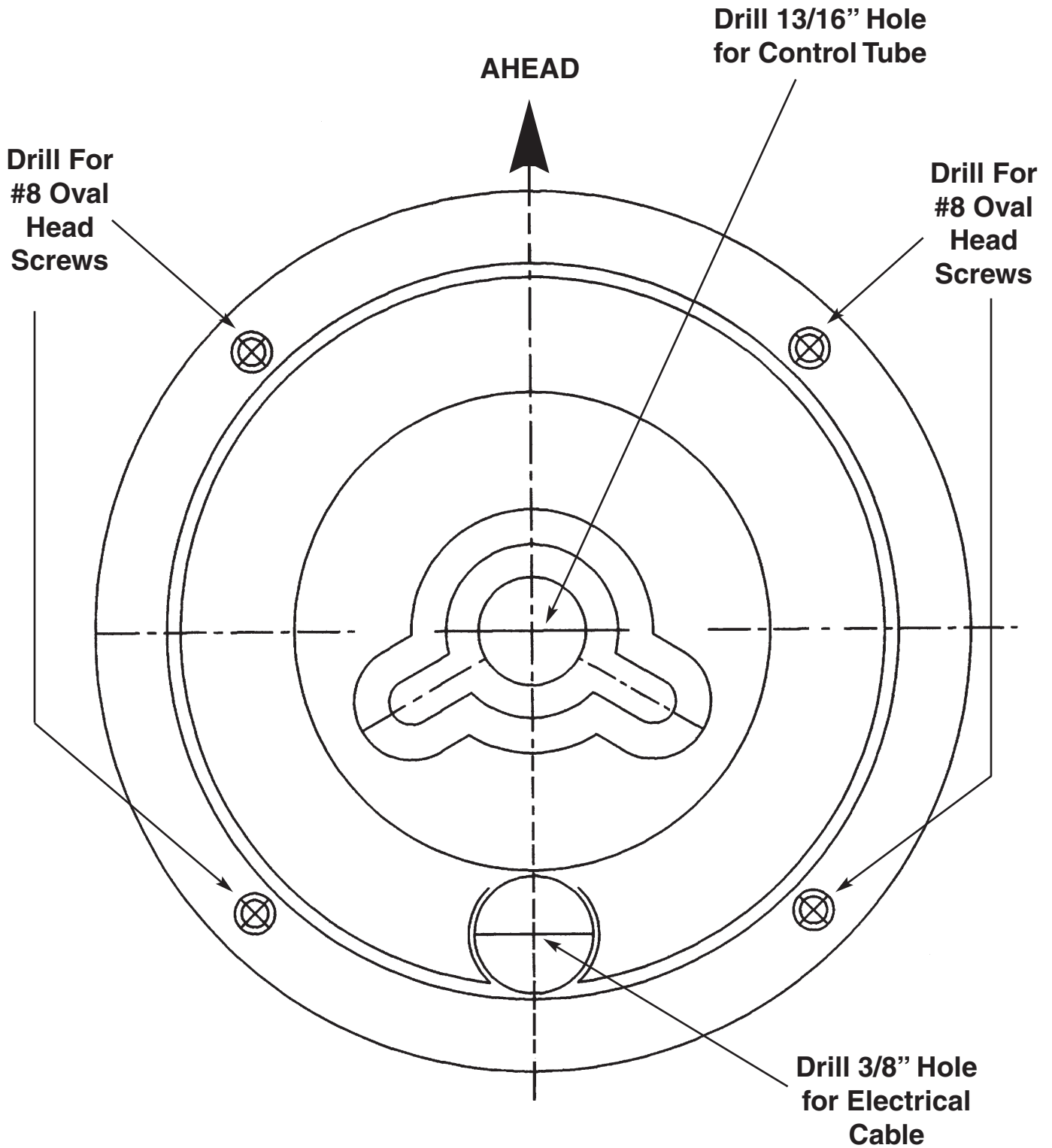
- 1). Examine mounting template, and choose appropriate mounting location.
- 2). Orient the template so that desired range of horizontal motion is achieved, then use the template to drill mounting, control and wiring holes.
- 3). Loosen two control knobs (#34) on control assembly. Loosen locknut (#35) by turning counter-clockwise as viewed from the top of the light.
- 4). Loosen the two set screws (#32) on the fulcrum (#41).
- 5). Remove the control handle assembly (#36 thru #41) from the control rod by rotating the entire assembly around the control tube. Simultaneously remove the locknut.
- 6). Do not attempt to remove the control tube & rod. (#31)
- 7). Install mounting gasket by sliding it up the control rod to the base.
- 8). Mount light from above, lowering control tube & rod through the deck.
- 9). Make electrical supply connections in accordance with A.B.Y.C. Standard E-9\* and U.S. Coast Guard Safety Standards for Boat Electrical Systems\*.
- 10). Fasten to deck with #8 oval head screws.
- 11). Install ceiling plate.
- 12). Re-install handle assembly. Note that the two set screws (#32) are for retention only and should be snug, but loose enough for the fulcrum to rotate. Adjust control tension with the two control knobs (#34).
- 13). To align handle position with searchlight direction: loosen lock nut (#35), twist handle assembly to desired position and re-tighten the lock nut.

\* The above referenced standards can be obtained from:

(1) American Boat & Yacht Council, Inc.  
613 Third Street, Suite 10  
Annapolis, MD 21403

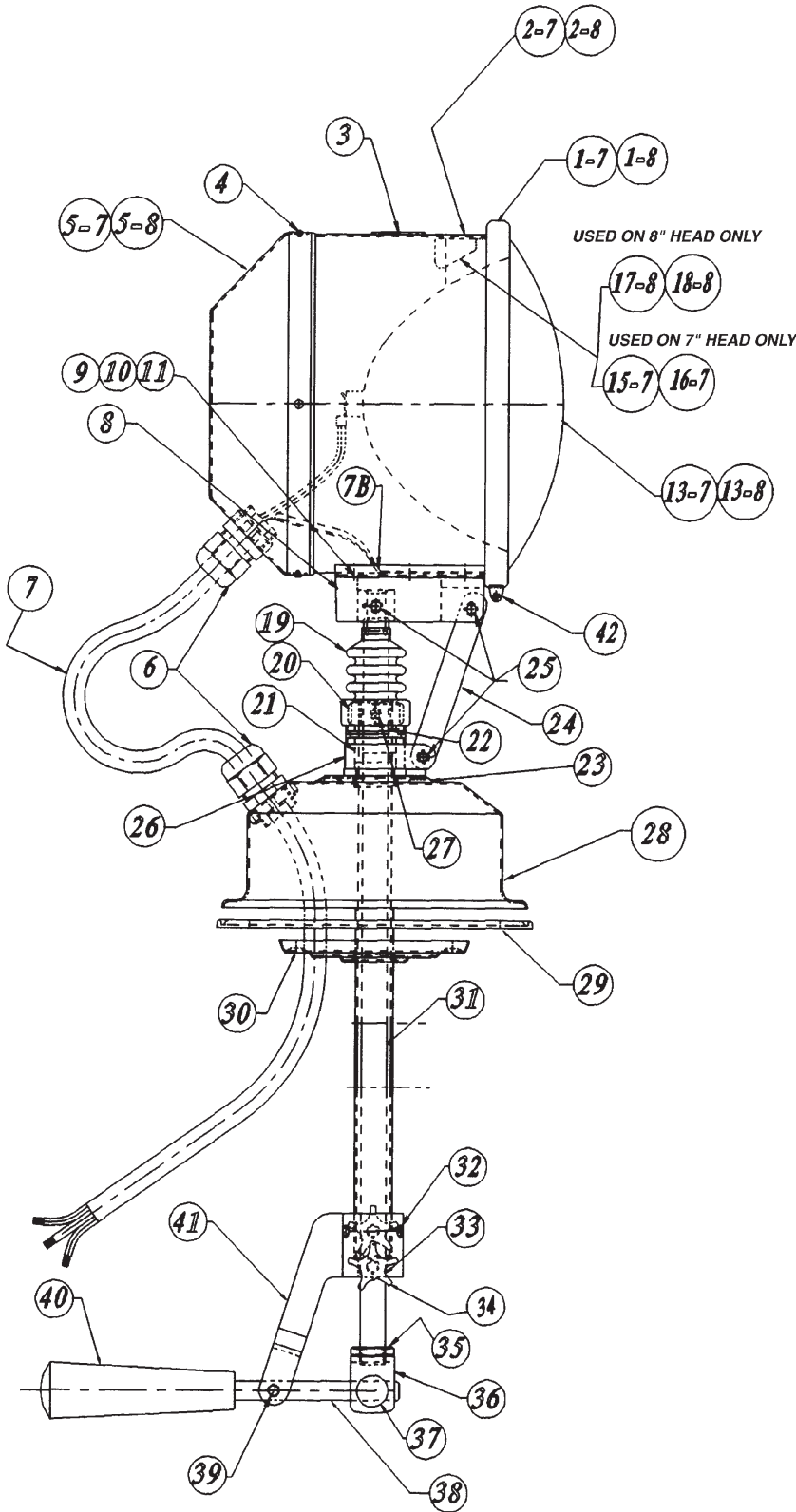
(2). U.S. Coast Guard  
Washington, D.C. 20593  
(or your local C.G. office)

**Fig. 0314 Searchlight  
MOUNTING TEMPLATE**



## Fig. 0314 - 7 inch & 8 inch Spare Parts Diagram and Sealed Beam Ordering Information

### Bill of Materials



Item	Cat. No.	Description	Qty.
1-7	0314SPRC17	Front Ring (7")	1
1-8		Front Ring (8")	1
2-7		Housing Assembly (7")	1
2-8		Housing Assembly (8")	1
3		Label, Perko	1
4		Screw (Rear Cover Retainer)	4
5-7		Back Cover (7")	1
5-8		Back Cover (8")	1
6	0314SPR006	Gland	2
7	0314SPR007	Cord Assembly	1
8		Drum Bracket	1
9		Screw (Drum Bracket Retainer)	4
10		Nut (Drum Bracket Retainer)	4
11		Lock Washer (Star Type)	4
13-7	See Table 1	Sealed Beam (7" Head)	1
13-8	See Table 1	Sealed Beam (8" Head)	1
14-8	0314R3299A	Resistor Assembly (not shown)	1
15-7		Bushing (7" Bulb Support)	4
16-7		Screw (7" Bulb Support Retainer)	4
17-8		Bulb Bracket (Used on 8" Only)	3
18-8		Rivet (Bracket Retainer 8" Head)	3
19	0314SPR019	Rubber Boot	1
20	0314SPR020	Lock Nut	1
21	0314SPR021	Bushing (Control Rod)	1
22	0314SPR022	Split Bushing (Control Bracket)	1
23	0314SPR023	Stop Collar	1
24	0314SPR024	Fulcrum Strap	1
25	0314SPR025	"Cone Point" Set Screw	6
26	0314SPR026	Control Bracket	1
27		Set-Screw (Lock Nut Retainer)	1
28	0314SPR028	Base Assembly	1
29	0314SPR029	Mounting Gasket	1
30	0314SPR030	Ceiling Plate	1
31	0314SPR031	Control Rod with Pivot Bar	1
32	0314SPR032	Set-Screw ("Dog Point")	2
33	0314SPR033	Split Bushing (Fulcrum)	1
34	0314SPR034	Knob Assembly	2
35	0314SPR035	Nut, Control Rod	1
36	0314SPR036	Yoke	1
37	0314SPR037	Pivot Bearing	1
38	0314SPR038	Handle Rod	1
39	0314SPR039	Screw and Nut	1
40	0314SPR040	Control Handle	1
41	0314SPR041	Fulcrum	1
42	0314SPR042	Screw (Front Ring Retainer)	1

**Table 1 - Sealed Beam Numbers**

S I Z E		12V Nom	24V Nom	32V Nom
	7"	4543	4541	200 Par56
8"	4715	4559	4559*	

\* Used in conjunction with resistor (Item#14-8)

**Table 2 - Sealed Beam Specifications**

Bulb No.	V Nom	W	A	BCP
4543	12	100	8.5	250,000
4541	24	450	19	470,000
200 Par 56	32	200	6.5	260,000
4715	12	250	21	500,000
4559	24*	600	25	600,000

\* Also used for 32 Volt System in conjunction with a resistor. (32V, 600W, 19A, 600,000 B.C.P.)

**Table 3 - Sealed Beam Part Numbers.**

Volts	7"	8"
12V	043300312V	043300412V
24V	043300324V	043300424V
32V	043300332V	043300424V* + 0314R3299A

\* Used in conjunction with resistor (Item#14-8)

<b>PERKO®</b>	
16490 N.W. 13th Avenue	Miami, FL 33169-5707
Date: 3/7/97	Drawn By: H. Ahmed
Scale: None	Revised: 9/21/16
<b>Fig. 0314 Searchlight Assembly (7" &amp; 8")</b>	

# **PERKO®**

## **SOLAR-RAY® SEARCHLIGHT**

### **ONE YEAR LIMITED WARRANTY**

PERKO, INC. (PERKO) warrants to the original commercial-purchaser that PERKO'S commercial products will be free from defective materials or workmanship, and that the PERKOPLATE/PERKO•KOTE Finish will remain corrosion-free under normal use and service, for a period of one (1) year from the original purchase date.

ALL IMPLIED WARRANTIES, INCLUDING MERCHANTABILITY, ARE ALSO LIMITED IN DURATION TO THE ONE YEAR PERIOD FROM THE ORIGINAL PURCHASE DATE.

PERKO SHALL NOT BE LIABLE FOR LOSS OF USE OF ANY OF ITS COMMERCIAL PRODUCTS, NOR FOR OTHER INCIDENTAL OR CONSEQUENTIAL COSTS, EXPENSES, OR DAMAGES INCURRED BY THE ORIGINAL COMMERCIAL-PURCHASER OR BY ANY OTHER PERSON.

SOME STATES DO NOT ALLOW LIMITATIONS ON HOW LONG AN IMPLIED WARRANTY LASTS, SO THE ABOVE LIMITATION MAY OR MAY NOT APPLY TO YOU. SOME STATES DO NOT ALLOW THE EXCLUSION OR LIMITATION OF INCIDENTAL OR CONSEQUENTIAL DAMAGES, SO THE ABOVE LIMITATION OR EXCLUSION MAY OR MAY NOT APPLY TO YOU.

This warranty is void if the commercial product warranted has been damaged by accident or unreasonable use, neglect, improper service or other cause not arising out of defects in material or workmanship. Excluded from this warranty are Electric Light Bulbs (lamps), Sealed Beam Units and Fuses.

During the warranty period, your PERKO product will either be repaired or it will be replaced with a like product (at PERKO's option) without charge to the original commercial-purchaser, when returned prepaid and insured, with proof-of-purchase date to PERKO at the address shown below. In the event of replacement, the replacement product will continue the warranty of the original product, or ninety (90) days, whichever is longer.

PERKO does not authorize any person or company to create for it any other obligation or liability in connection with any of its products.

**Serial Number** \_\_\_\_\_

**Date of Purchase** \_\_\_\_\_

(Retain with Proof-of-Purchase Documentation)

PERKO, Inc. • 16490 N.W. 13th Avenue • Miami, FL 33169-5707

9901 019 FRM